

For North American Market

INDUSTRIAL DIESEL ENGINE

KUBOTA OC SERIES (1-cylinder)

OC95-E3

4
EPA Tier

RATED POWER

7.0kW@3600rpm



Photographs may show non-standard equipment.

FEATURES and BENEFITS

Emissions

- The Kubota OC95 engine complies with EPA Tier 4 emissions regulations. These are the most stringent emissions regulations in the world in this class.

Durable Power

- This engine offers a seamless transition from Tier 2 to Tier 4 by totally maintaining the same performance and physical characteristics of the previous Tier 2 engines.

Clean and Quiet Power

- The Kubota OC series is a unique engine that has light-weight and compact features of an air-cooled engine together with the low noise, durability and clean exhaust emission of a water-cooled diesel engine. With ACTV (Advanced Cooling Three Vortex) system, the cylinder block is air-cooled, whereas the combustion area of the cylinder head is oil-cooled.

GENERAL SPECIFICATION

Net Intermittent SAE-J1349

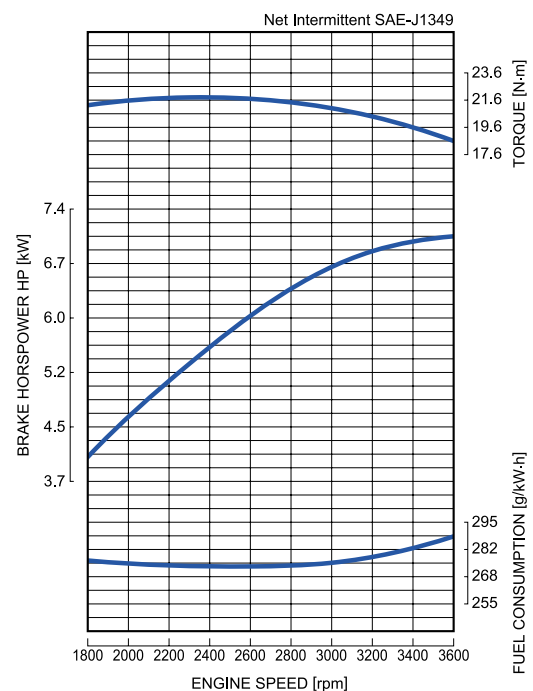
Model	OC95-E3	
Emission Regulation	Tier 4	
Type	4-cycle Oil-air cooled Diesel	
Number of Cylinders	1	
Bore	mm (in)	83 (3.27)
Stroke	mm (in)	77 (3.03)
Displacement	L (cu.in)	0.416 (25.39)
Combustion System	IDI (TVCS)	
Aspiration	Naturally Aspirated	
Maximum Speed	rpm	3600
Output: Net Intermittent	kW	7.0
	HP	9.4
	PS	9.5
Oil Pan Capacity	L (gal)	1.7 (0.44)
Starter Capacity	V-kW	12-1.2
Alternator Capacity	V-A	12-4.0
Length	mm (in)	503 (19.80)
Width	mm (in)	452 (17.80)
Height (1)	mm (in)	501 (19.72)
Dry Weight	kg (lb)	56 (123)

*Specification is subject to change without notice.

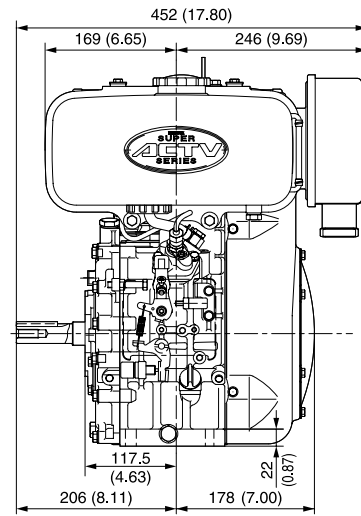
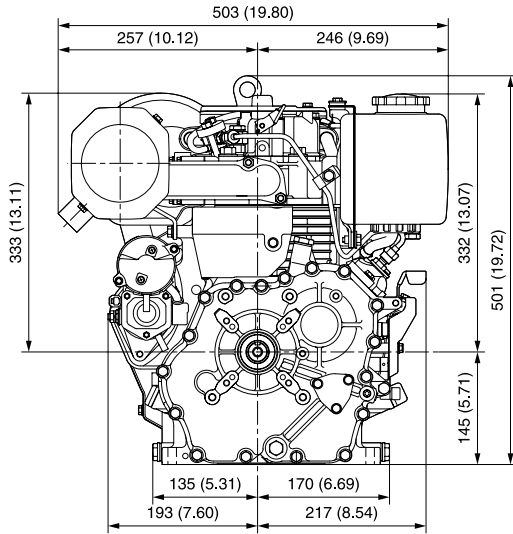
*Output: Net Intermittent SAE-J1349

*Dry weight is according to Kubota's standard specification. When specification varies, the weight will vary accordingly.

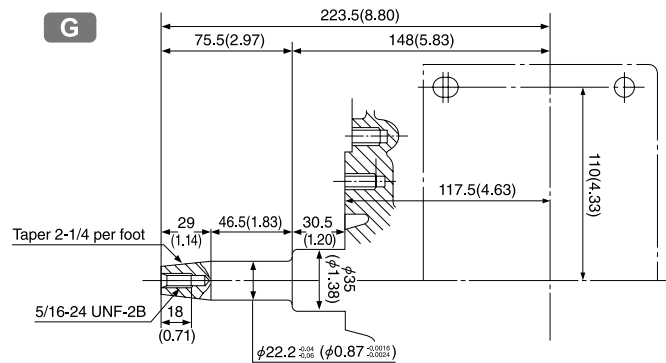
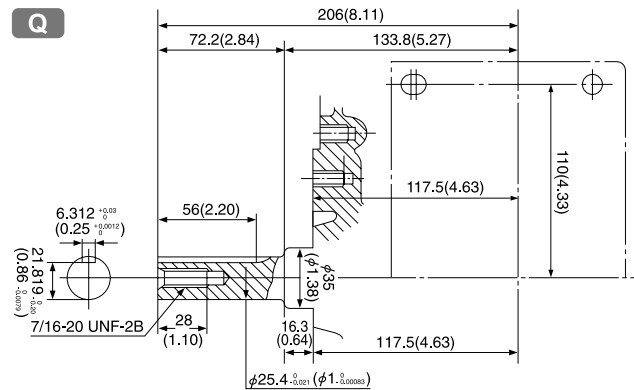
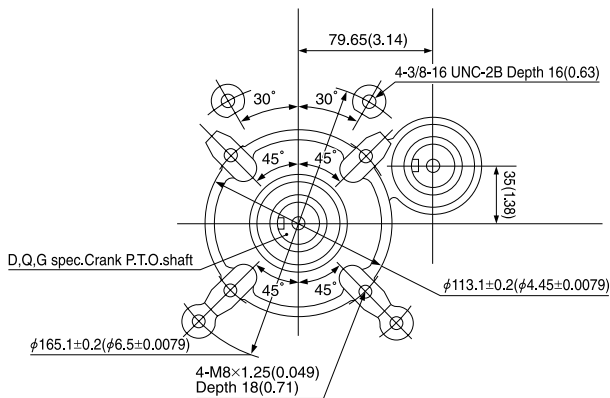
PERFORMANCE CURVE



DIMENSIONS



■ Suppliable P.T.O.shafts. Unit:mm(inch)



KUBOTA Corporation

2-47, Shikitsuhigashi 1-chome, Naniwa-ku, Osaka, 556-8601 Japan
Fax: 06-6648-3521

<http://engine.kubota.co.jp>

Your Driving Force
KUBOTA ENGINE